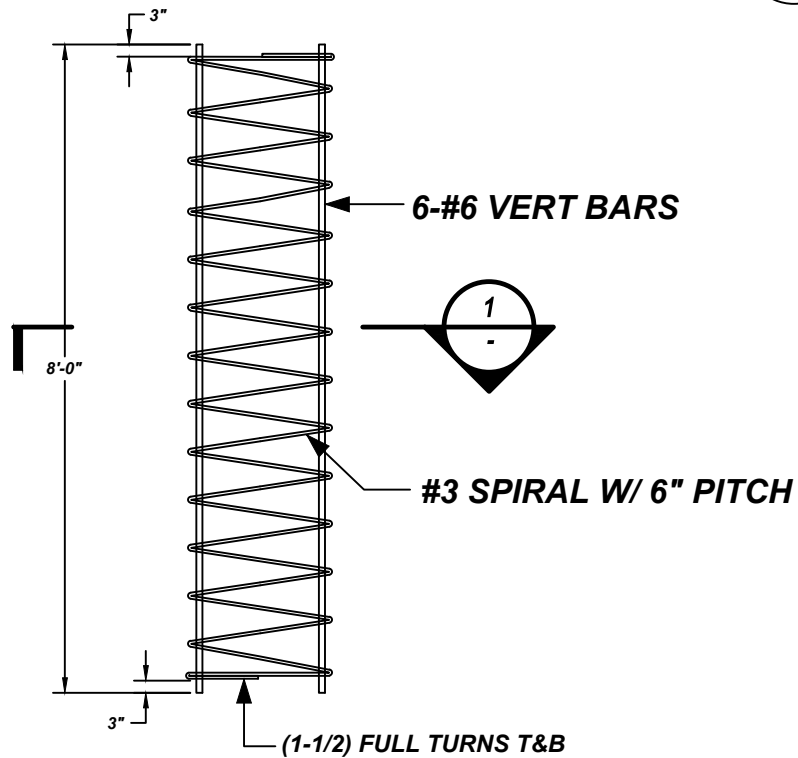



1 SECTION



8'-0" X 18" WELDED CAGE

| REBAR GRADE 60 ASTM A-706 | | | | | |
|---|----------|----------|---|------|----------|
| REV No. | DATE | SENT FOR | REV No. | DATE | SENT FOR |
| HARMAC REBAR AND STEEL CORPORATION | | | | | |
|  A Division of A.H. Harris & Sons, Inc. | | | | | |
| P.O. Box 142 Cornshop Road Fryeburg, ME 04037 | | | 301 Hartle Street Sayreville, NJ 03301 | | |
| Tel. 800-294-4702 Fax 207-935-3058 | | | | | |
| HARMAC STOCK CAGES | | | | | |
| Cage Details | | | | | |
| CUSTOMER: | | | | | |
| DESIGNER: | | | | | |
| DRAWN BY | DATE | JOB NO | SHEET NO. | | |
| RMK | 09.20.16 | STOCK-5 | R-WC5 | | |