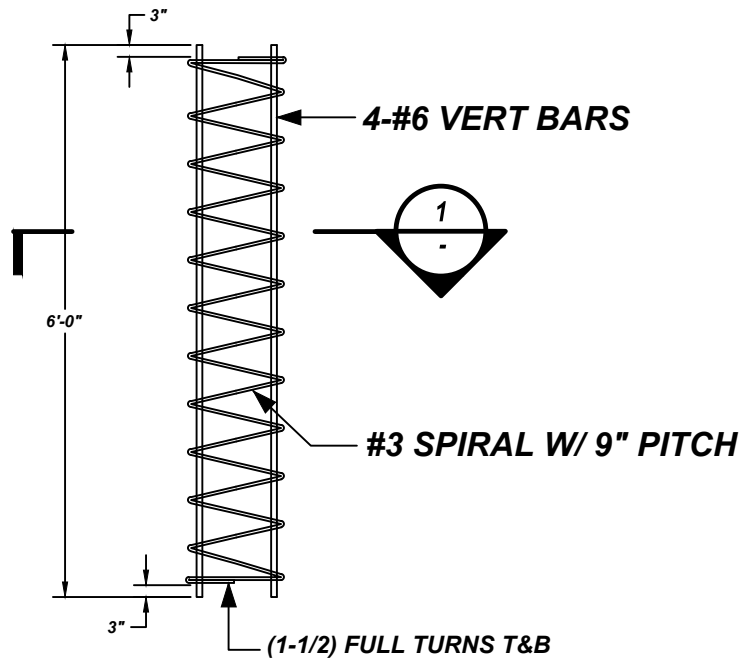



1 SECTION



6'-0" X 12" WELDED CAGE

REBAR GRADE 60 ASTM A-706				
REV No.	DATE	SENT FOR	REV No.	DATE
HARMAC REBAR AND STEEL CORPORATION				
 A Division of A.H. Harris & Sons, Inc.				
P.O. Box 142 Cornshop Road Fryeburg, ME 04037		301 Hartle Street Sayreville, NJ 03301		
Tel. 800-294-4702 Fax 207-935-3058				
HARMAC STOCK CAGES				
Cage Details				
CUSTOMER:				
DESIGNER:				
DRAWN BY	DATE	JOB NO	SHEET NO.	
RMK	09.20.16	STOCK-7	R-WC7	