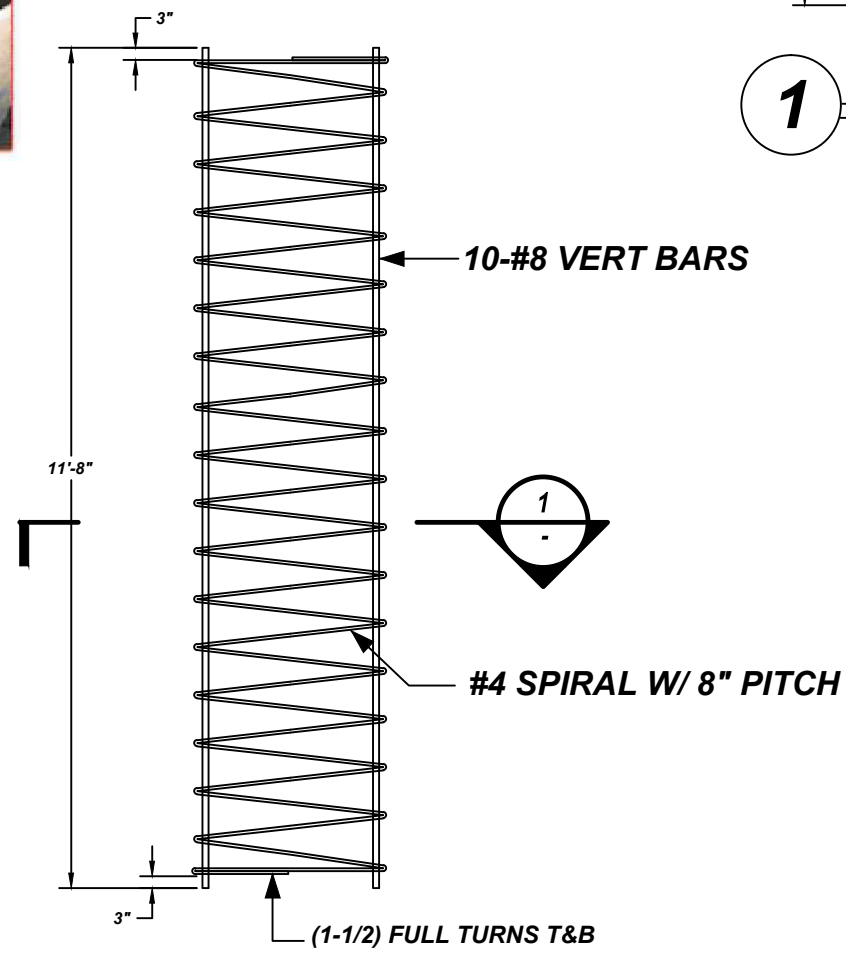



**1 SECTION**



**12'-0" X 24" WELDED CAGE**

<b>REBAR GRADE 60 ASTM A-706</b>			
REV No.	DATE	SENT FOR	REV No. DATE SENT FOR
<b>HARMAC REBAR AND STEEL CORPORATION</b>			
			
A Division of A.H. Harris & Sons, Inc.			
P.O. Box 142 Cornshop Road Fryeburg, ME 04037		301 Hartle Street Sayreville, NJ 03301	
Tel. 800-294-4702 Fax 207-935-3058			
<b>HARMAC STOCK CAGES</b>			
Cage Details			
CUSTOMER:			
DESIGNER:			
DRAWN BY	DATE	JOB NO	SHEET NO.
RMK	09.20.16	STOCK-3	R-WC3